



**TOYOTA**

ALWAYS A  
BETTER WAY

# Avensis Wagon

Rear bumper protection plate, plastic

Installation instructions

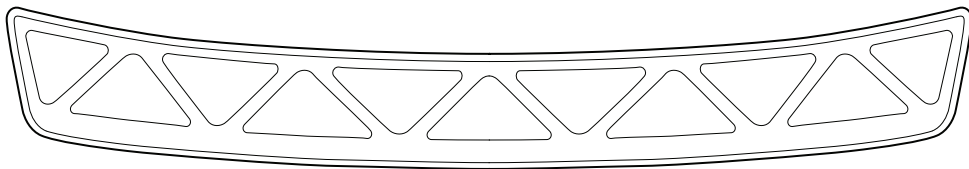
Model year:	2015/05
Vehicle code:	**T27**-AW***W
Part number:	PW178-05001

Manual reference number: AIM 003 415 - 0

# Revision Record

Rev. No.	Date	Page	Picture	Update	New	Deleted steps

## PW178-47002

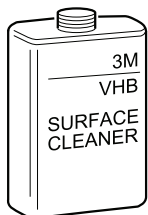


**A**

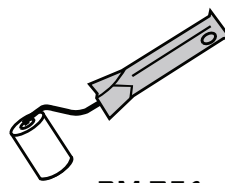
1x



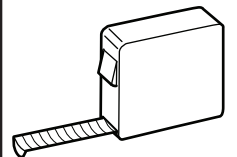
**3M 2010**



**3M VHB**



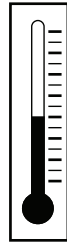
**3M 751**





40°C

18°C



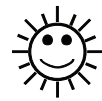
X



✓

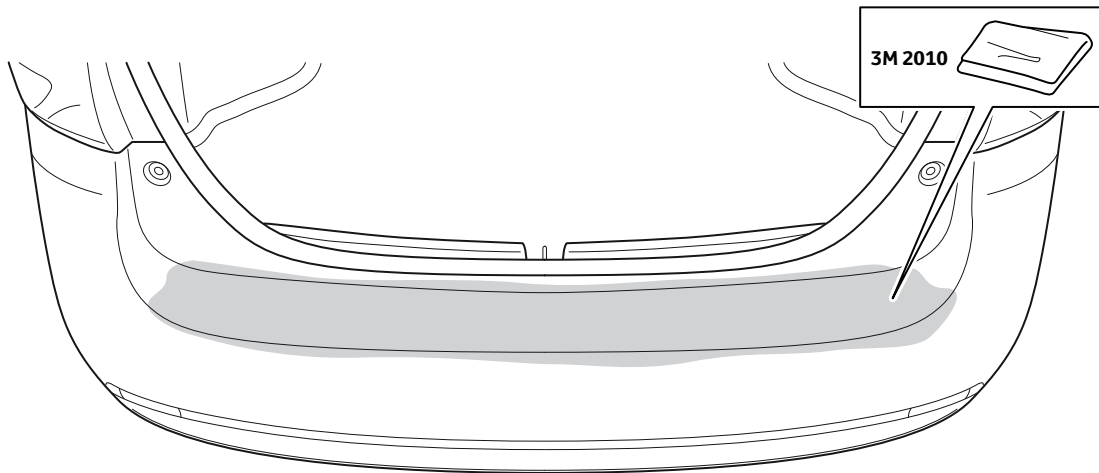


X

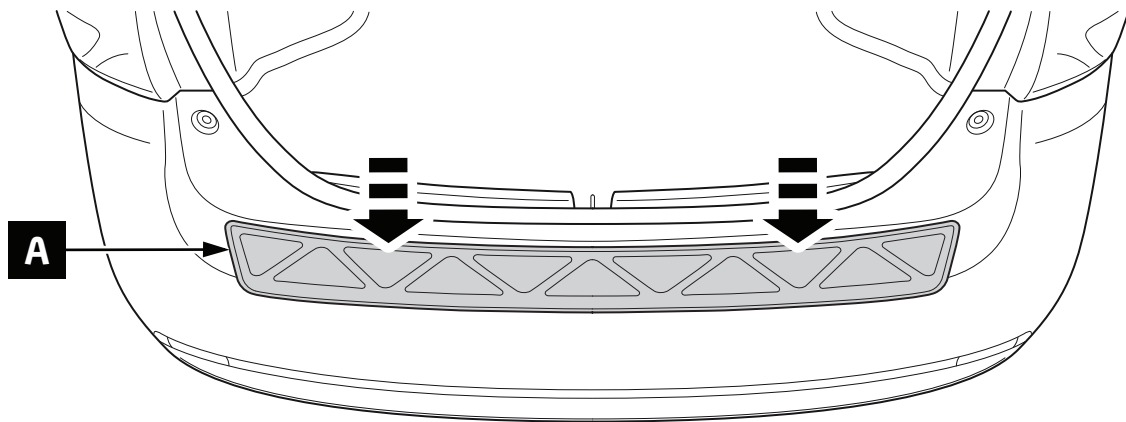


0-95%

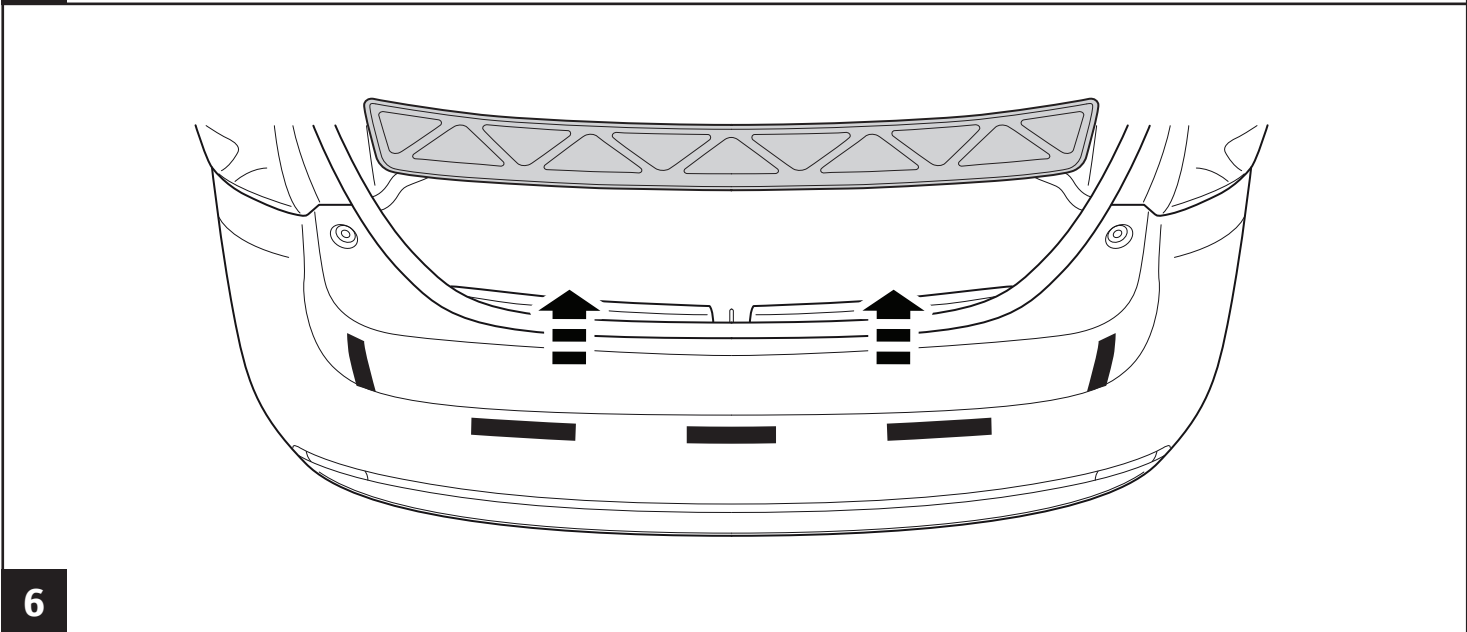
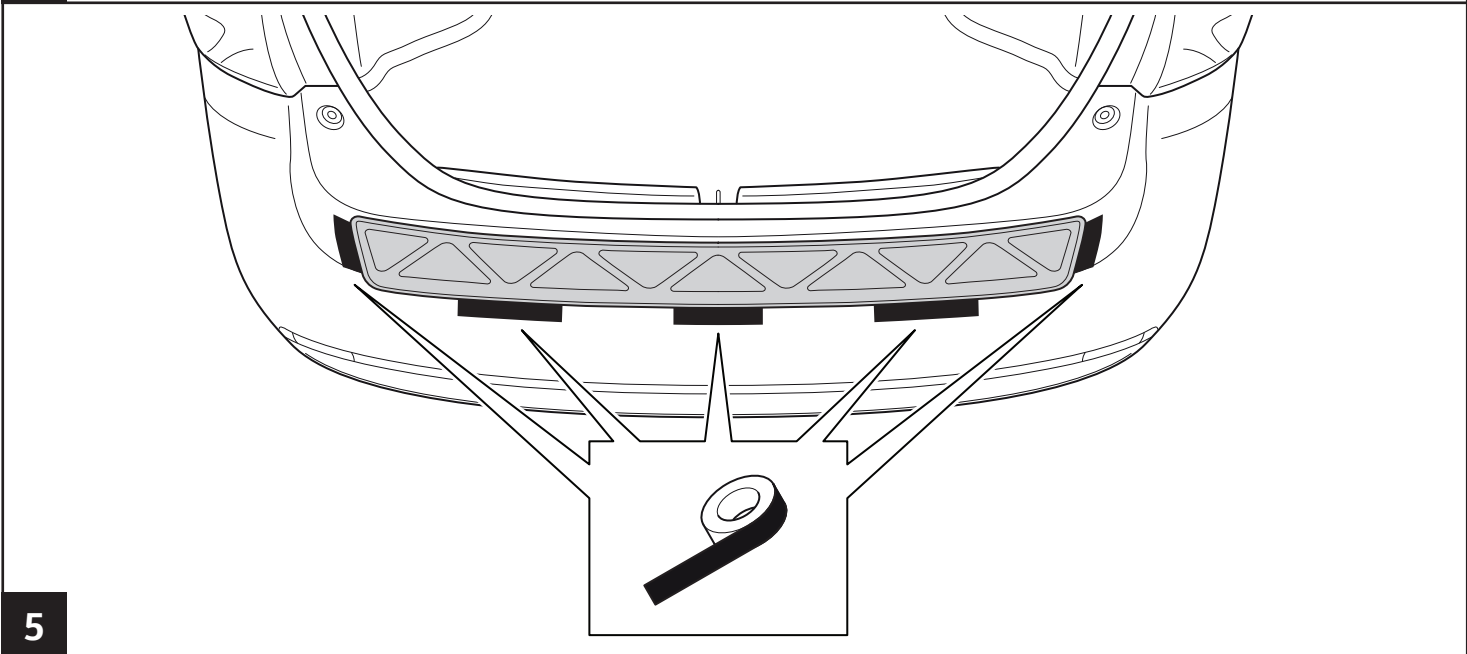
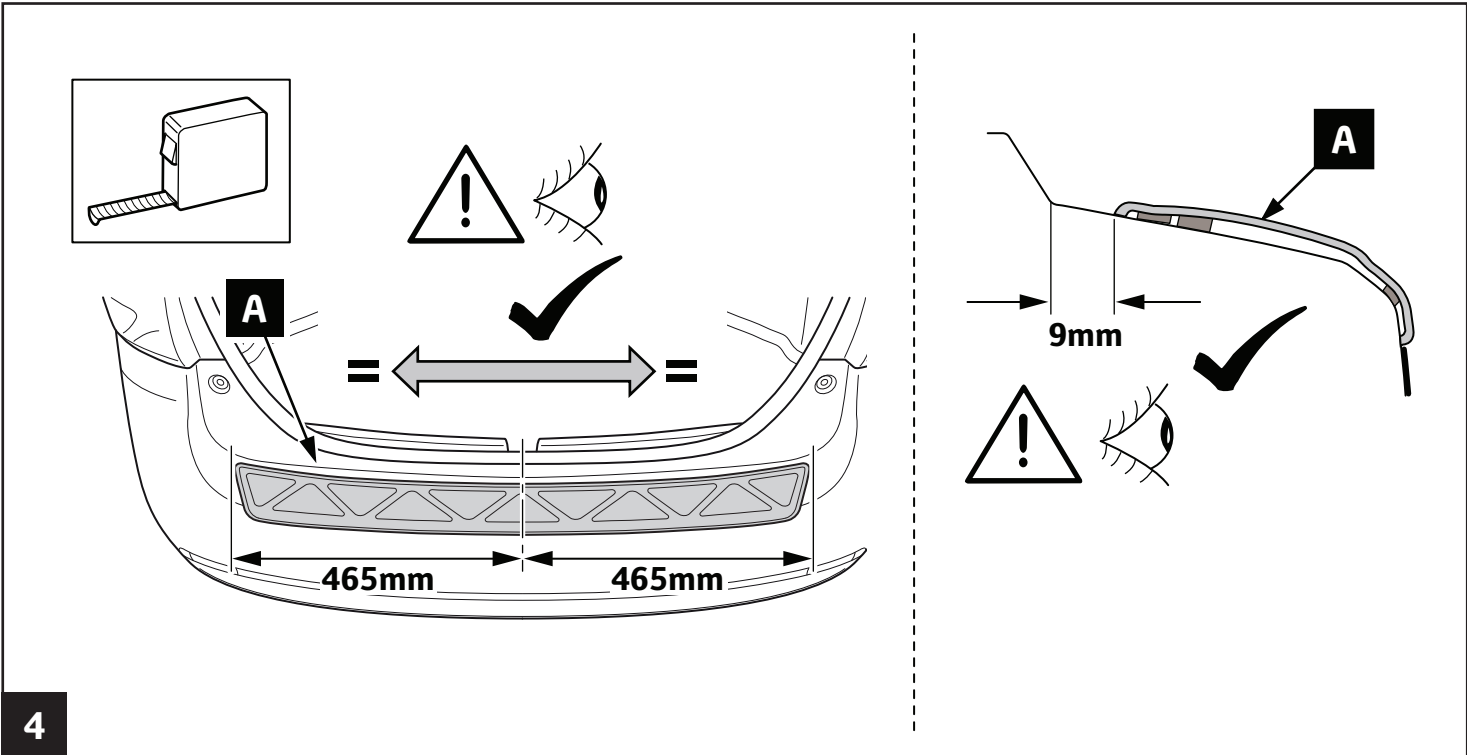
1

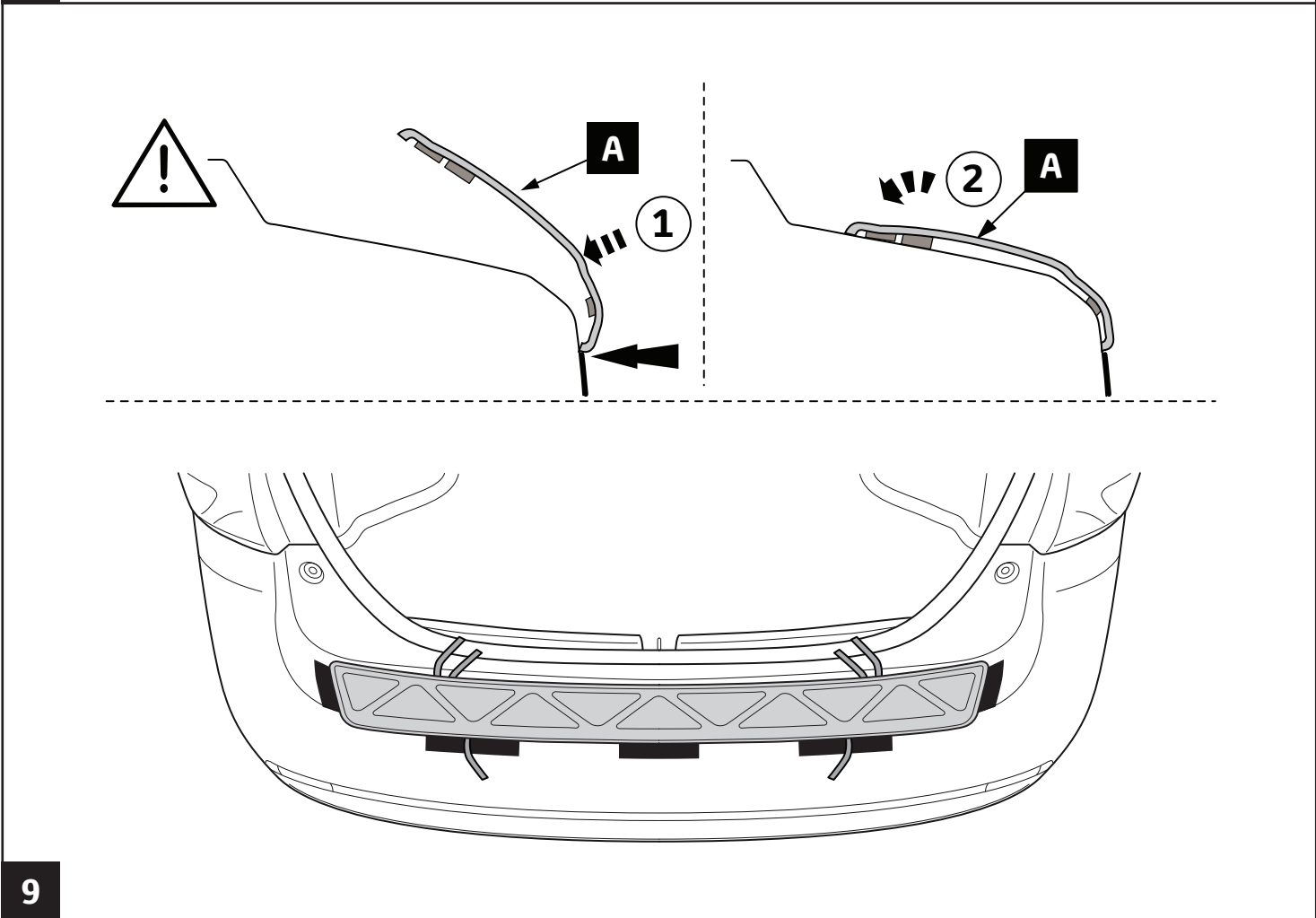
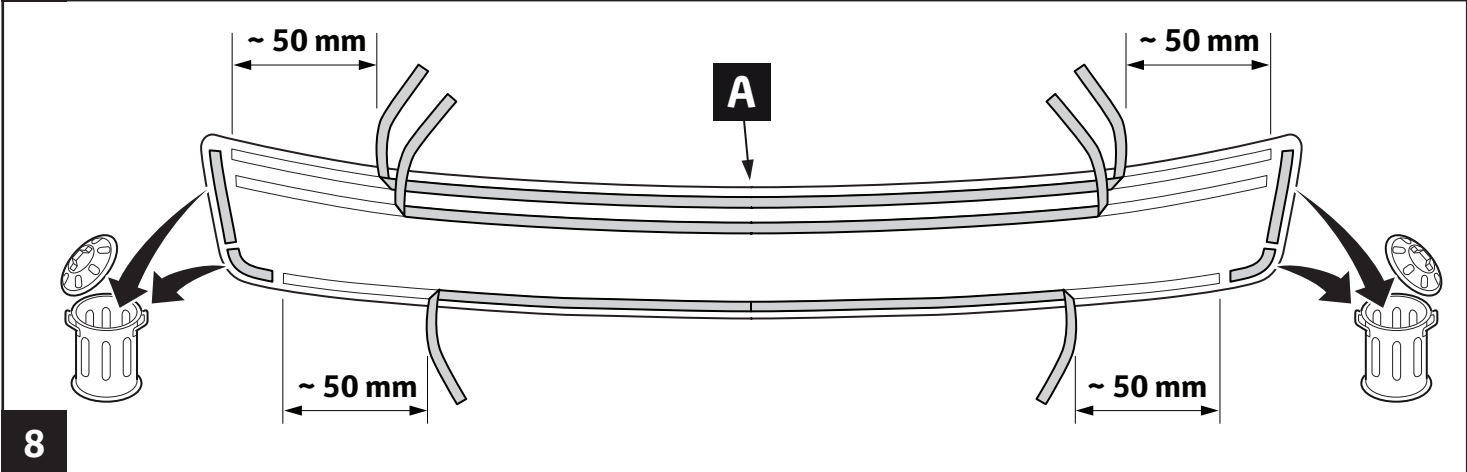
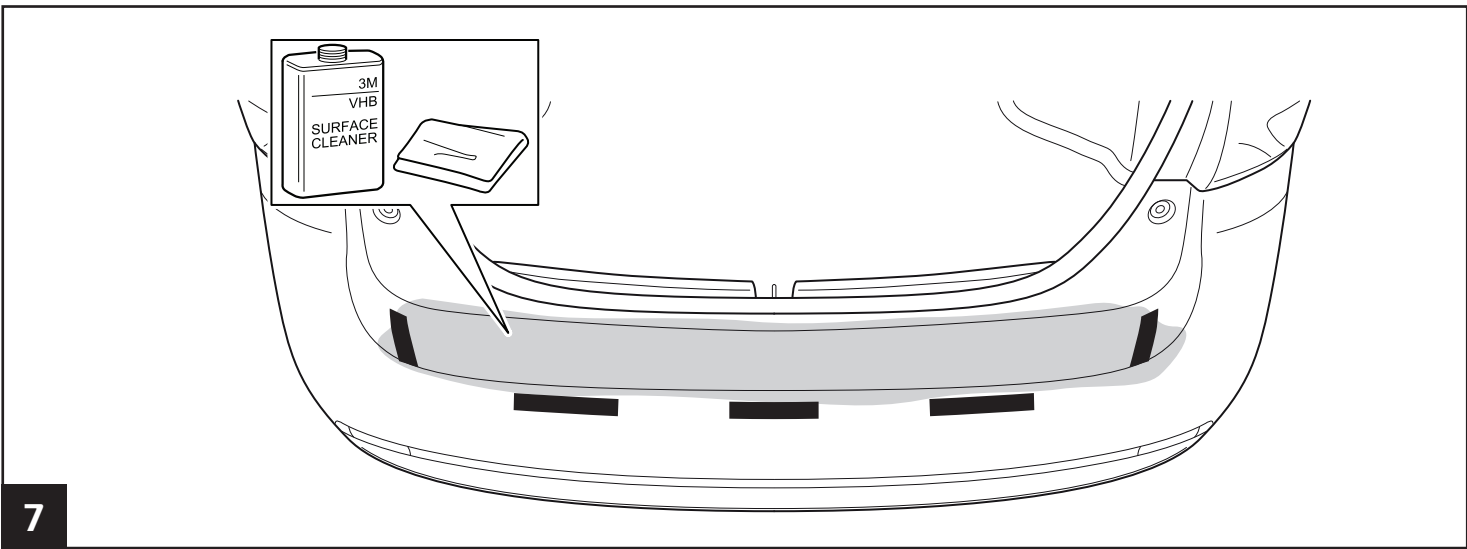


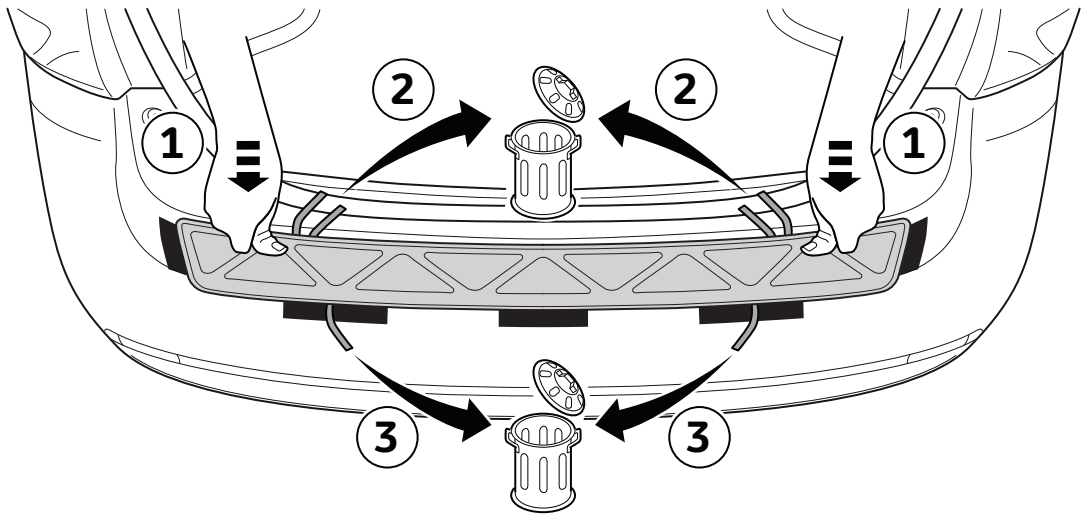
2



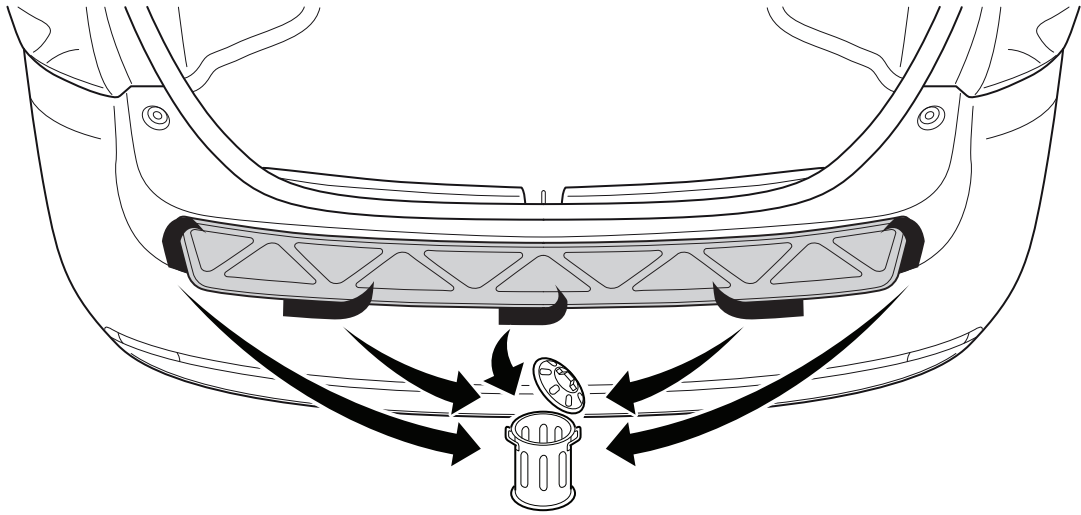
3



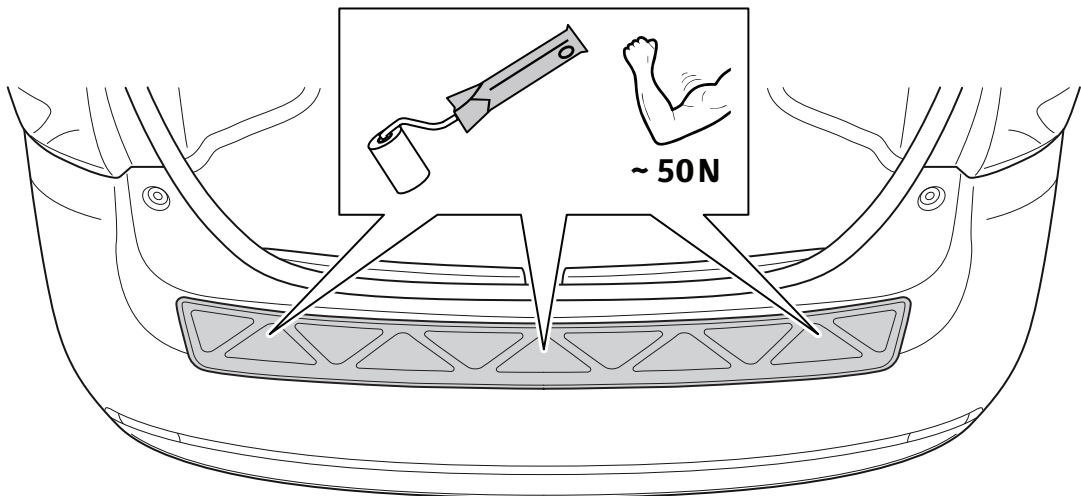




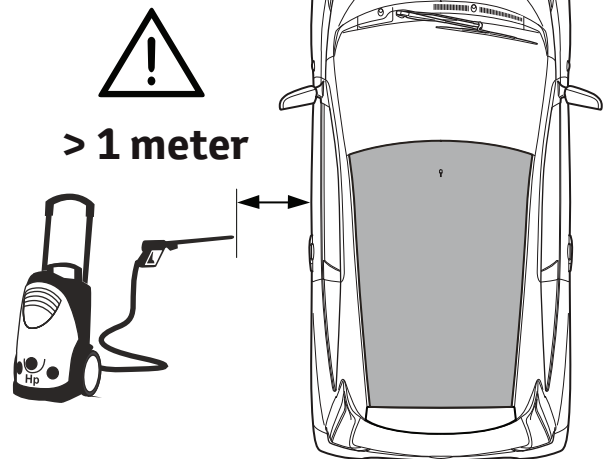
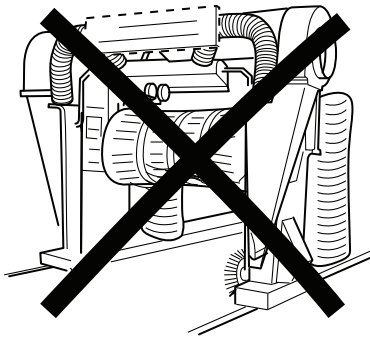
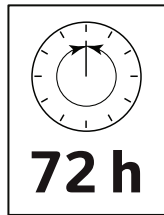
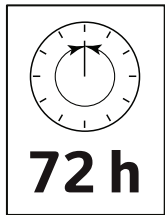
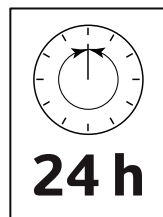
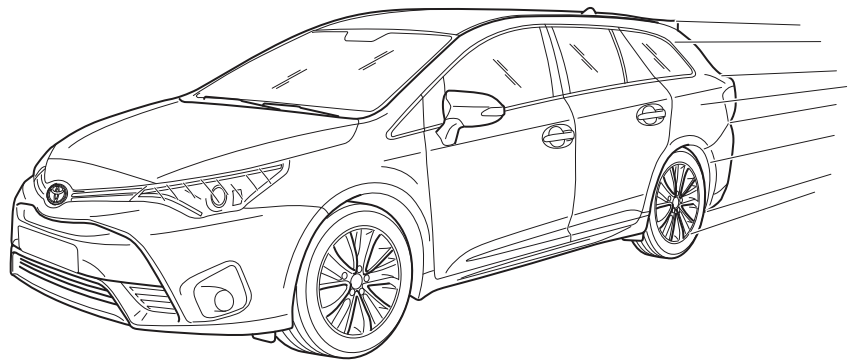
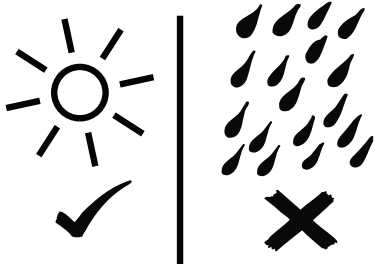
10



11



12



# CHECK SHEET



**TOYOTA**

ALWAYS A BETTER WAY

**Model / Year**

**Avensis Wagon  
2015/05**

**Rear Bumper**

**Protection Plate, plastic**

**VIN n°**

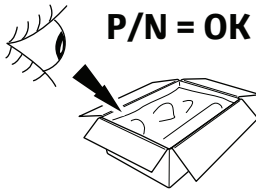


Diagram illustrating the correct installation of the rear bumper protection plate. The plate is shown centered on the bumper with a width of 465mm on each side. A 9mm gap is indicated between the plate and the bumper. Warning icons (exclamation mark and eye) and checkmarks indicate that the installation must be precise.

Diagram illustrating the inspection of the rear bumper installation. A technician is shown kneeling and inspecting the bumper. A magnifying glass icon and the text "= OK" indicate that the installation is correct.

**Installation Date:**

... / ... / ...

**Technician Name & Signature:**

**Stamp:**